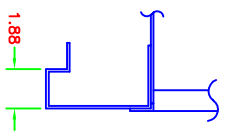
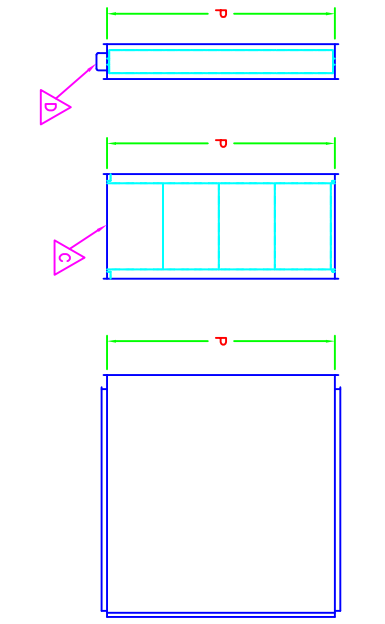
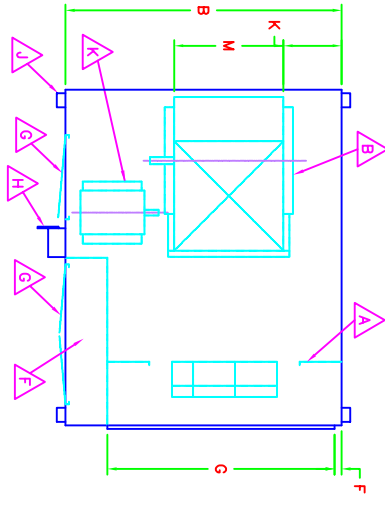
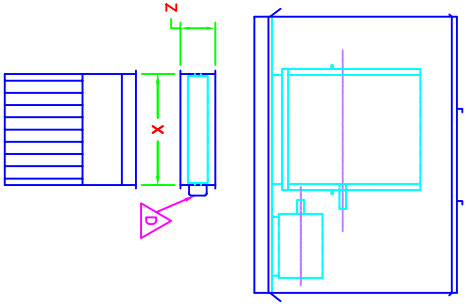


MODEL NO	A	B	C	D	E	F	G	H	J	K	M	N	P	R	S	T	U	V	X	Y	Z	**FA FILTER QUANTITY	***FA FILTER/HOOD QUANTITY	
18	82	60	54	8.5	40.5	2	56	13	25	12.5	23	40.75	56.25	69.5	76	28	10	25.25	23.25	31.5	10	(6)20"x25"&(3)16"x25"	(6)20"x25"&(3)16"x25"	
20	82	60	54	8.5	40.5	2	56	13	25	12.5	23	40.75	56.25	69.5	76	28	10	25.25	23.25	31.5	10	(6)20"x25"&(3)16"x25"	(6)20"x25"&(3)16"x25"	
22	100	79	58	8.5	46.5	2	76	14.13	27.5	15.5	27.5	46.75	76.25	69.5	76	28	10	27.75	27.75	33.75	10	(9)20"x25"&(3)16"x25"	(9)20"x25"&(3)16"x25"	
25	100	79	58	8.5	46.5	2	76	15.36	31.5	15.5	31.5	46.75	76.25	69.5	76	28	10	31.75	31.75	37.75	10	(9)20"x25"&(3)16"x25"	(9)20"x25"&(3)16"x25"	
27	100	88	66	10.5	52.5	2	80	17	34.5	15.5	34.5	52.75	80.25	95.25	101	28	10	34.75	34.75	40	10	(20)20"x25"	(16)20"x25"	
30	100	88	66	10.5	52.5	2	80	18.5	37	15.5	37	52.75	80.25	95.25	101	28	10	37.25	37.25	43	10	(20)20"x25"	(16)20"x25"	
33	112	98	76	11.5	59.5	2	92	16.5	43.19	18.5	40	59.75	92.25	91.25	101	28	10	43.25	40.25	48	10	(15)20"x25"&(10)16"x25"	(12)20"x25"&(8)16"x25"	
***	36	112	98	76	11.5	59.5	2	92	16.5	43.19	15.5	43	59.75	92.25	91.25	101	28	10	43.25	43.25	48	10	(15)20"x25"&(10)16"x25"	(12)20"x25"&(8)16"x25"

- ▲ BURNER PROFILE
- ▲ FC DWID BLOWERS
- ▲ LIFT-OFF INTAKE FILTER SERVICE DOOR
- ▲ DAMPER MOTOR
- ▲ GAS CONNECTION
- ▲ ELEC/MANIFOLD CONTROLS VESTIBULE
- ▲ HINGED SERVICE DOOR
- ▲ MAIN DISCONNECT SWITCH
- ▲ LIFTING LUG (4-PLACES)
- ▲ SUPPLY FAN BLOWER MOTOR
- ▲ STANDARD FRESH AIR INTAKE HOOD (HOOD/FILTER COMBINATION (FILTERS SUPPLIED ONLY WHEN ORDERED))
- ▲ FRESH AIR INTAKE FILTER
- ▲ FRESH AIR INTAKE DAMPER
- ▲ FRESH AIR INTAKE OPENING
- ▲ DISCHARGE DAMPER
- ▲ DISCHARGE DIFFUSER



TYPICAL BASE DETAIL



NOTES:

- 1 INCH CONNECTION FLANGE SUPPLIED AROUND FRESH AIR INTAKE OPENING
- RAM 18/20 HAS SINGLE VESTIBULE DOOR
- EQUIPMENT SUPPORT RECOMMENDED UNDER FRESH AIR INTAKE FILTER ON RAM 22 & UP
- EQUIPMENT SUPPORT RECOMMENDED UNDER FRESH AIR INTAKE HOOD ON RAM 22 & UP
- DISCHARGE DIFFUSER SUPPLIED WITH ADJUSTABLE BLADES
- BURNER PROFILE AVAILABLE IN TWO-SPEED CONFIGURATION
- BASE DESIGN FOR FLAT MOUNT OR CURB MOUNT
- ALL DIMENSIONS SHOWN IN INCHES
- FA: FRESH AIR
- LIFTING EYES ARE LOCATED ON INTAKE & DISCHARGE ENDS ON RAM 33/36

RUPP AIR
MANAGEMENT SYSTEMS

DRAWING/REVIT NUMBER: 30400025

SCALE: 1 to 1

DO NOT SCALE DRAWING USE DIMENSIONS SHOWN
ALL DIMENSIONS ARE IN INCHES UNLESS OTHERWISE SPECIFIED

DRAWN BY: TKL
DATE: 02/10/00

APPROVED BY: _____
DATE: _____

REVISION DESCRIPTION:

RAM-18, 20, 22, 25, 27, 30, 33 AND 36
ARRANGEMENT H5 DOWN DISCHARGE

REVISION: 5200040C

DATE: _____

TOLERANCES:

2 PLCS	±.03
3 PLCS	±.015